
 SCALE IN FEET
 0' 10' 20' 30' 40' 50'
 CONTOUR INTERVAL: 1 FOOT
 CONTOUR DATUM: NAVD88

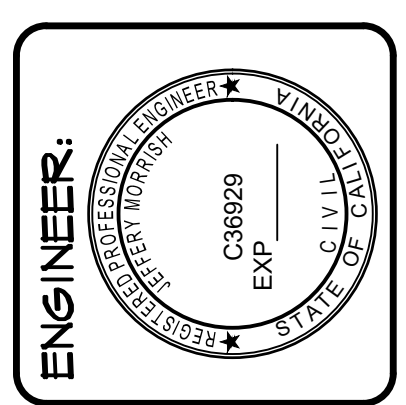
- - - - - EXISTING CONTOUR
 - - - - - NEW CONTOUR
 + [] NEW SPOT ELEVATION
 - - - - - ROCKED SWALE
 - - - - - TOP OF BASIN

BENCHMARK:
 ALUMINUM CAP
 STAMPED
 GPS 9-89-19.41
 NAVD88 DATUM
 TOP CAP = 3573.71

RIGHT-OF-WAY

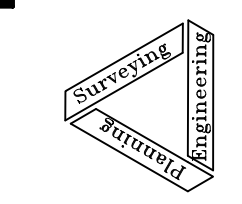
SITE PLAN

Revisions:



Project Title:
 PROPOSED SITE PLAN FOR
INDIAN VALLEY CSD
 1646 Highway 89
 GREENVILLE, FLUMAS COUNTY, CALIFORNIA
 APN: 110-930-007

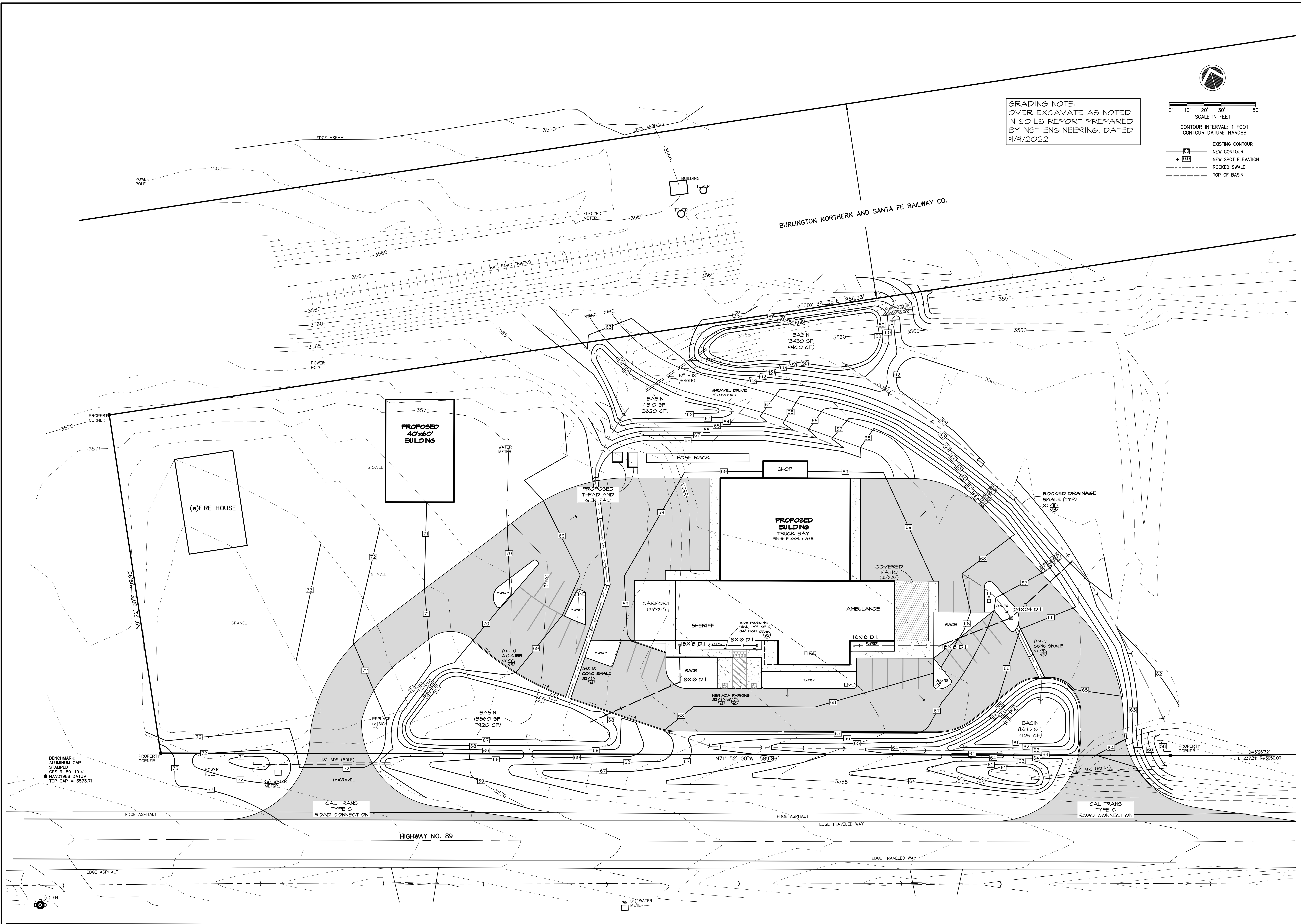
NST ENGINEERING
 1445 Riverside Drive * Susanville, CA 96180
 Engineering * Planning * Surveying
 Phone: (530) 257-5173 Fax: (530) 257-6212



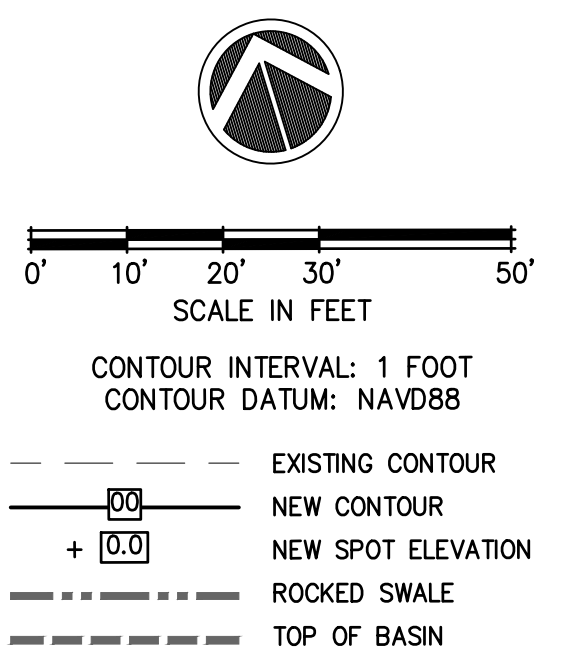
Date: 4/1/25
 Drawn: JB
 Checked: JM

Sheet No.
C1
 Of 5 Sheets

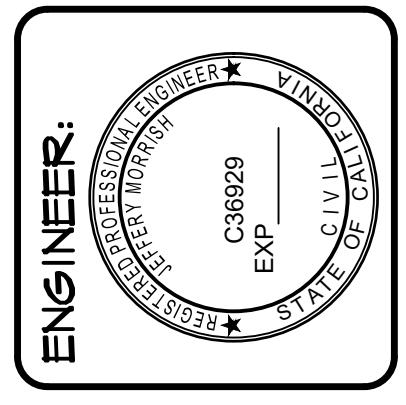
Job No. 2022-44
 File No. SITE



GRADING NOTE:
 OVER EXCAVATE AS NOTED
 IN SOILS REPORT PREPARED
 BY NST ENGINEERING, DATED
 9/9/2022



Revisions:



Project Title:
 PROPOSED SITE PLAN FOR
INDIAN VALLEY CSD
 19646 HIGHWAY 89
 GREENVILLE, PLUMAS COUNTY, CALIFORNIA
 APN: 110-350-007

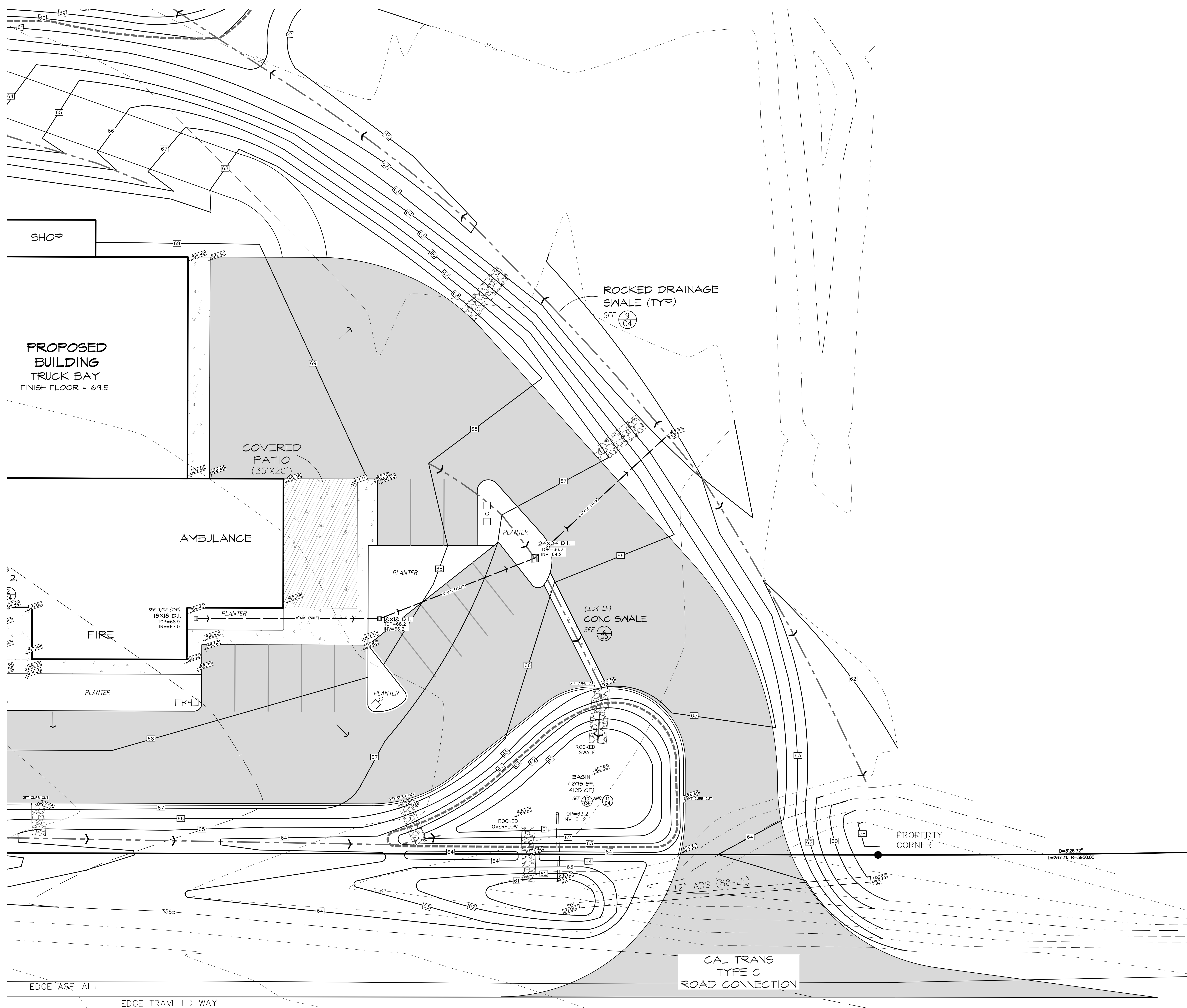
NST ENGINEERING
 1445 Riverside Drive * Susanville, CA 96130
 Engineering * Planning * Surveying
 Phone: (530) 257-5113 Fax: (530) 257-6272

Date: 4/1/25
 Drawn: JEB
 Checked: JMB

Sheet No.
C2
 Of 5 Sheets

Job No. 2022-49
 File No. 91TE

SITE GRADING AND DRAINAGE PLAN
 SEE SHEETS C2.2 AND C2.3 FOR ENLARGED GRADING PLANS

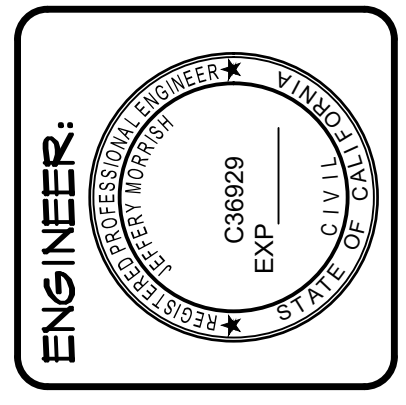


0' 5' 10' 15' 25'
SCALE IN FEET

CONTOUR INTERVAL: 1 FOOT
CONTOUR DATUM: NAVD88

--- EXISTING CONTOUR
--- NEW CONTOUR
+ [] NEW SPOT ELEVATION
--- ROCKED SWALE
--- TOP OF BASIN

Revisions:



Project Title:
PROPOSED SITE PLAN FOR
INDIAN VALLEY CSD
19646 HIGHWAY 84
GREENVILLE, PLUMAS COUNTY, CALIFORNIA
APN: 110-350-007

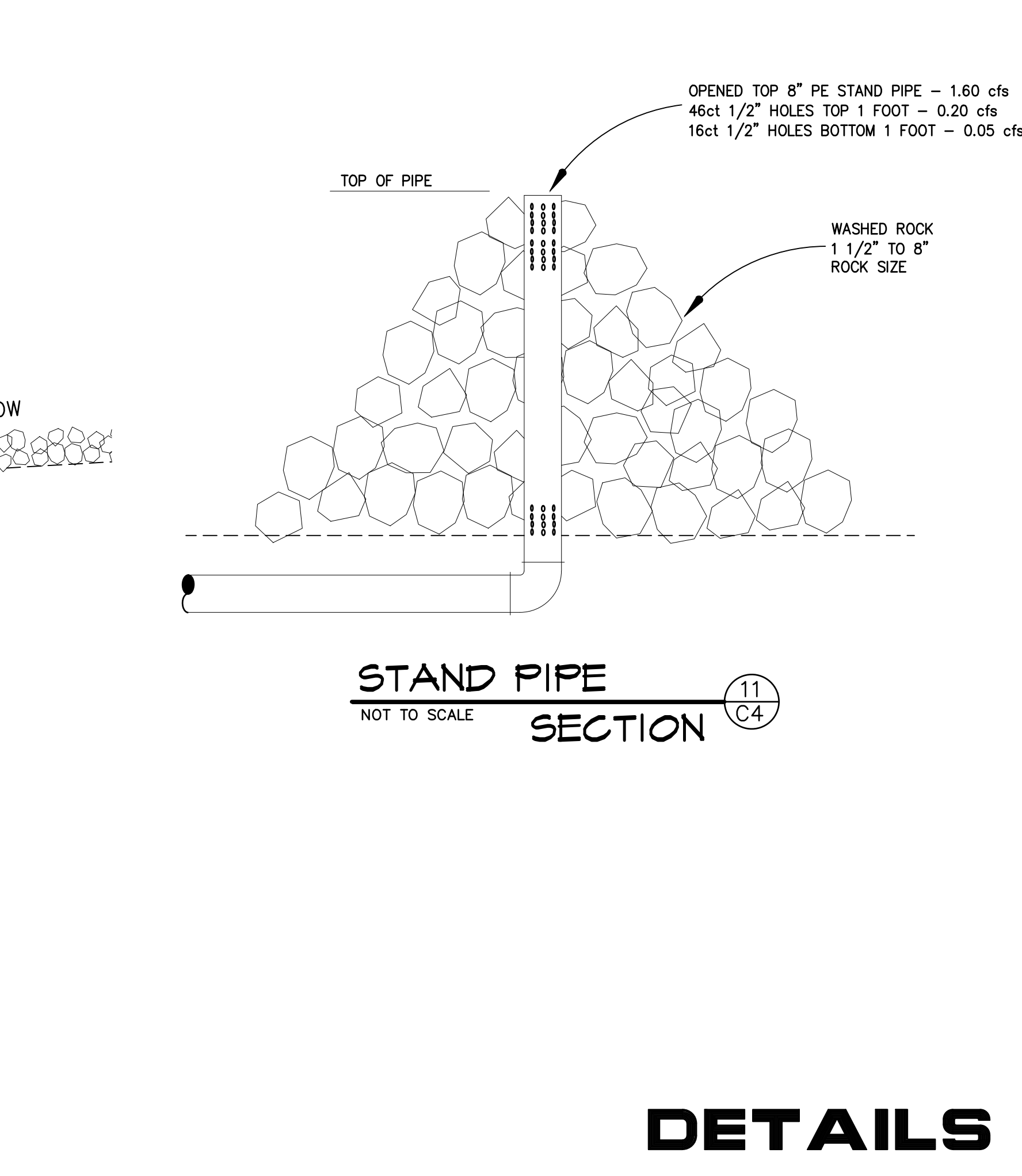
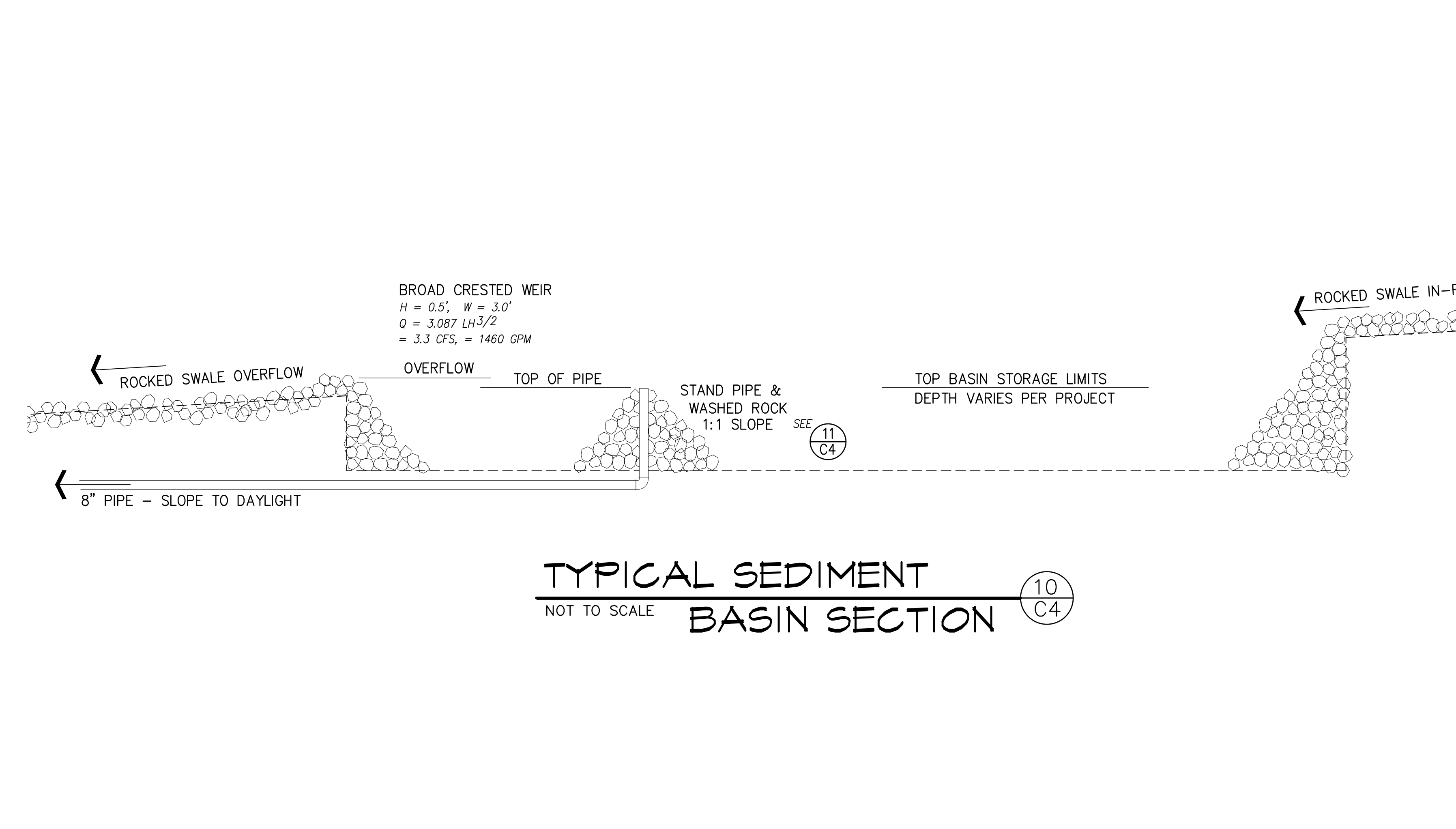
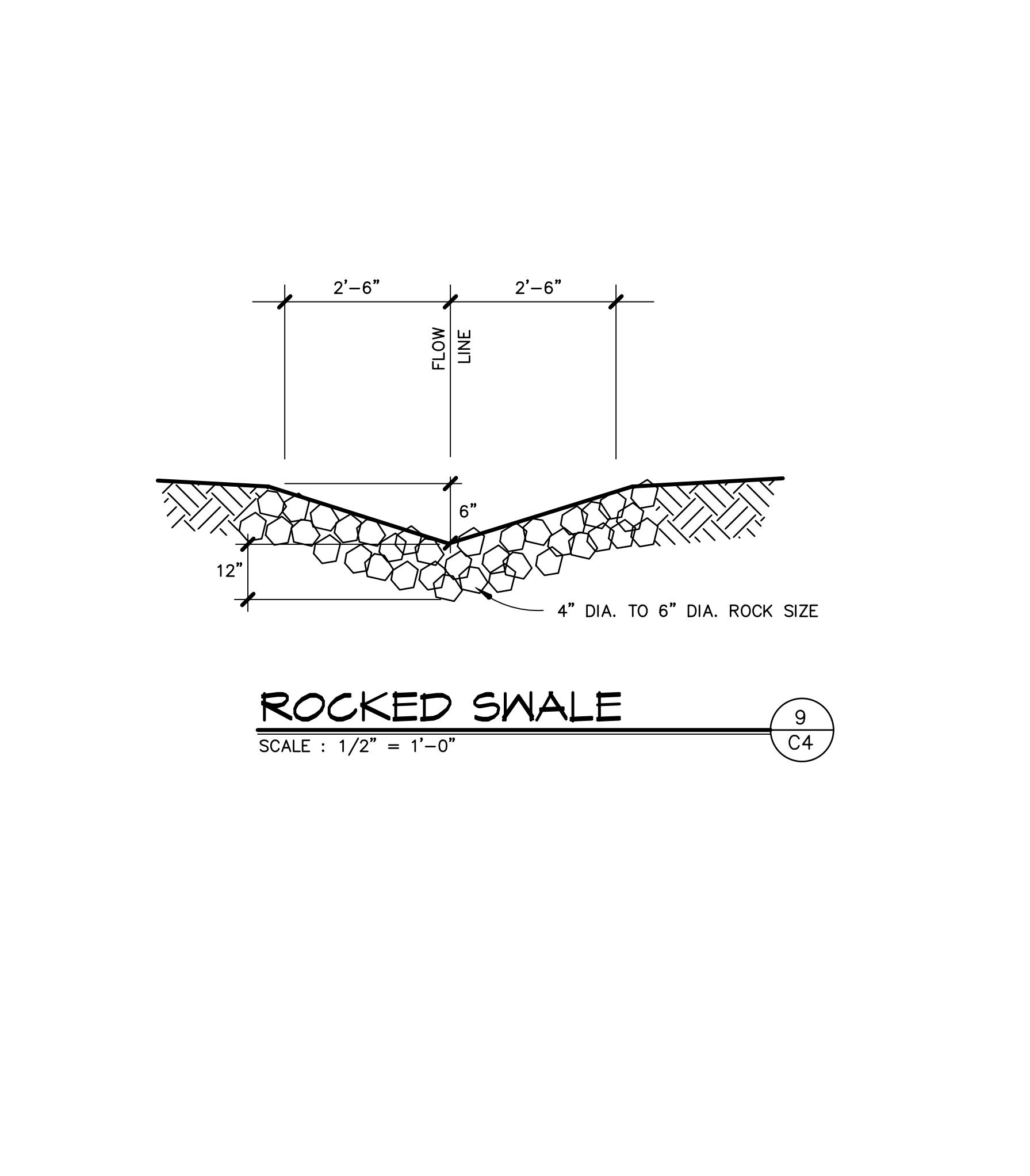
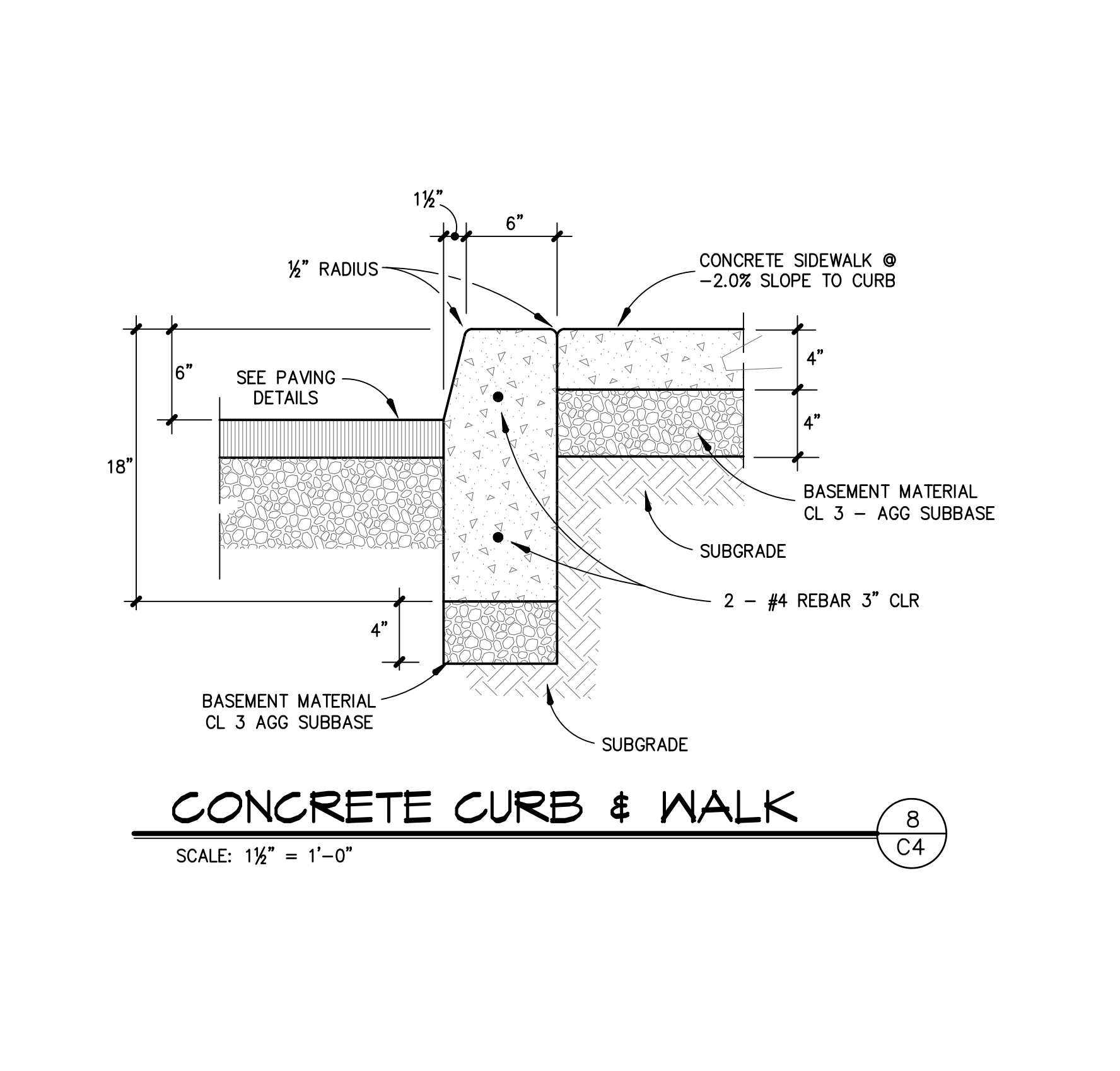
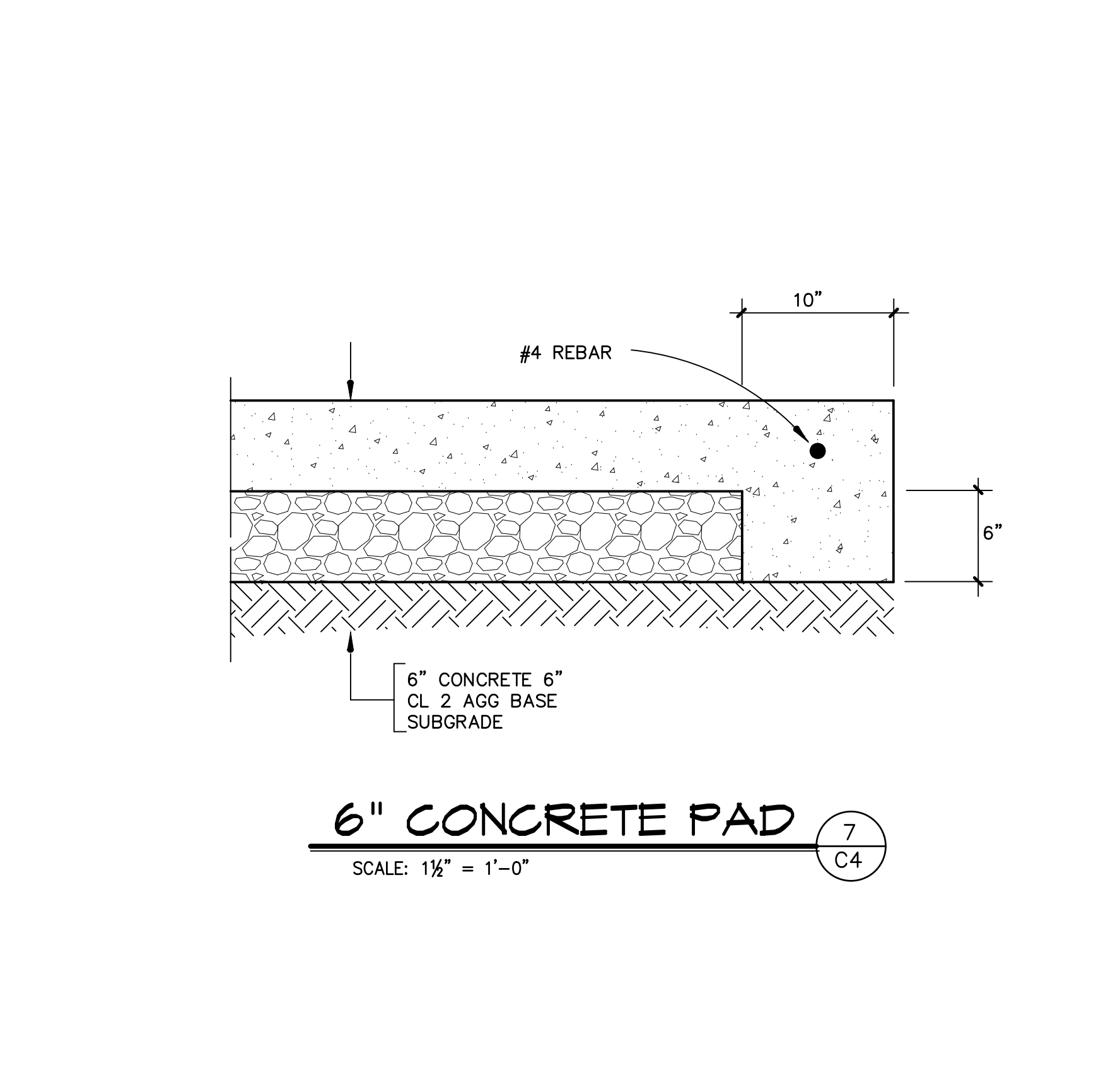
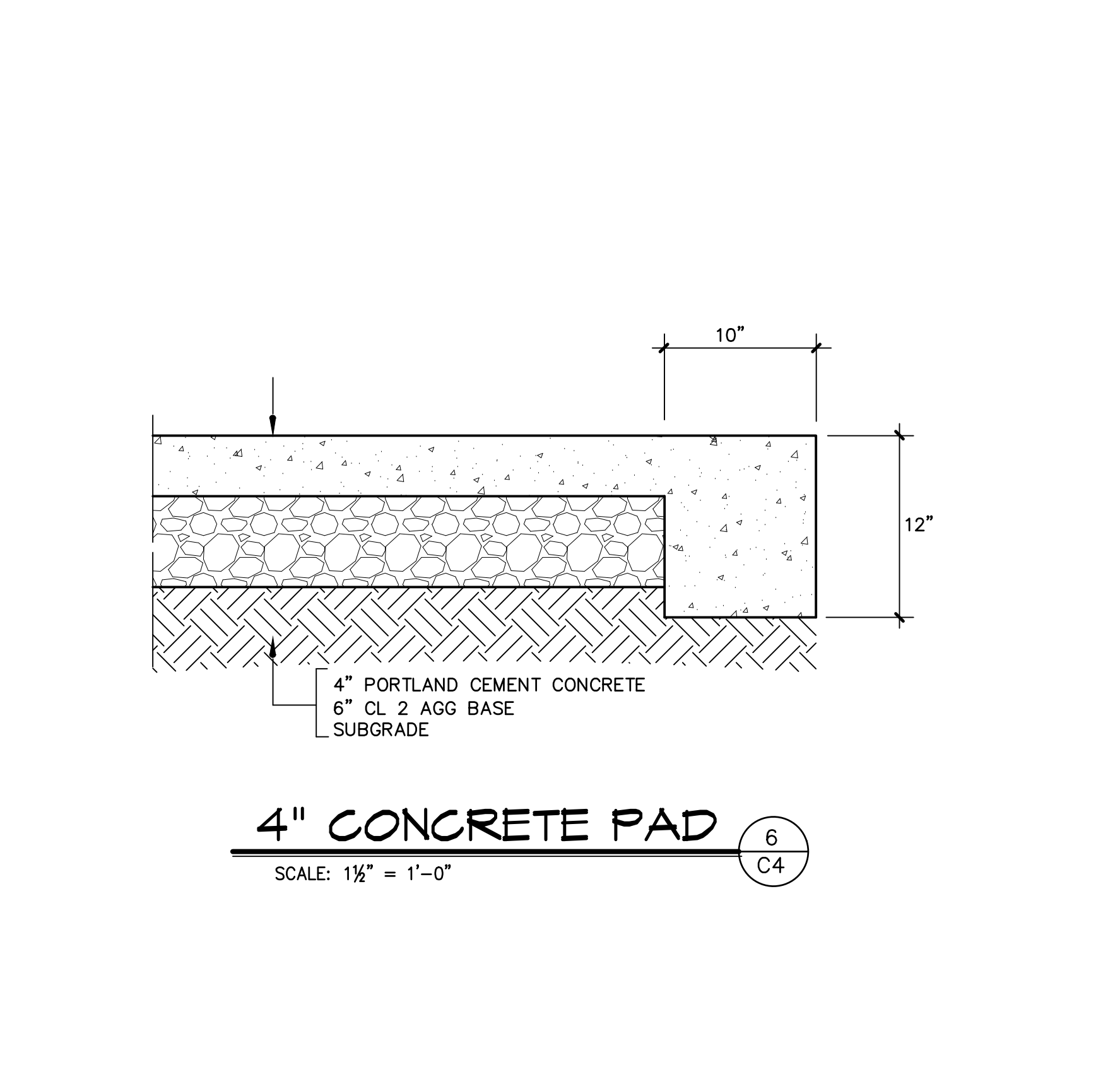
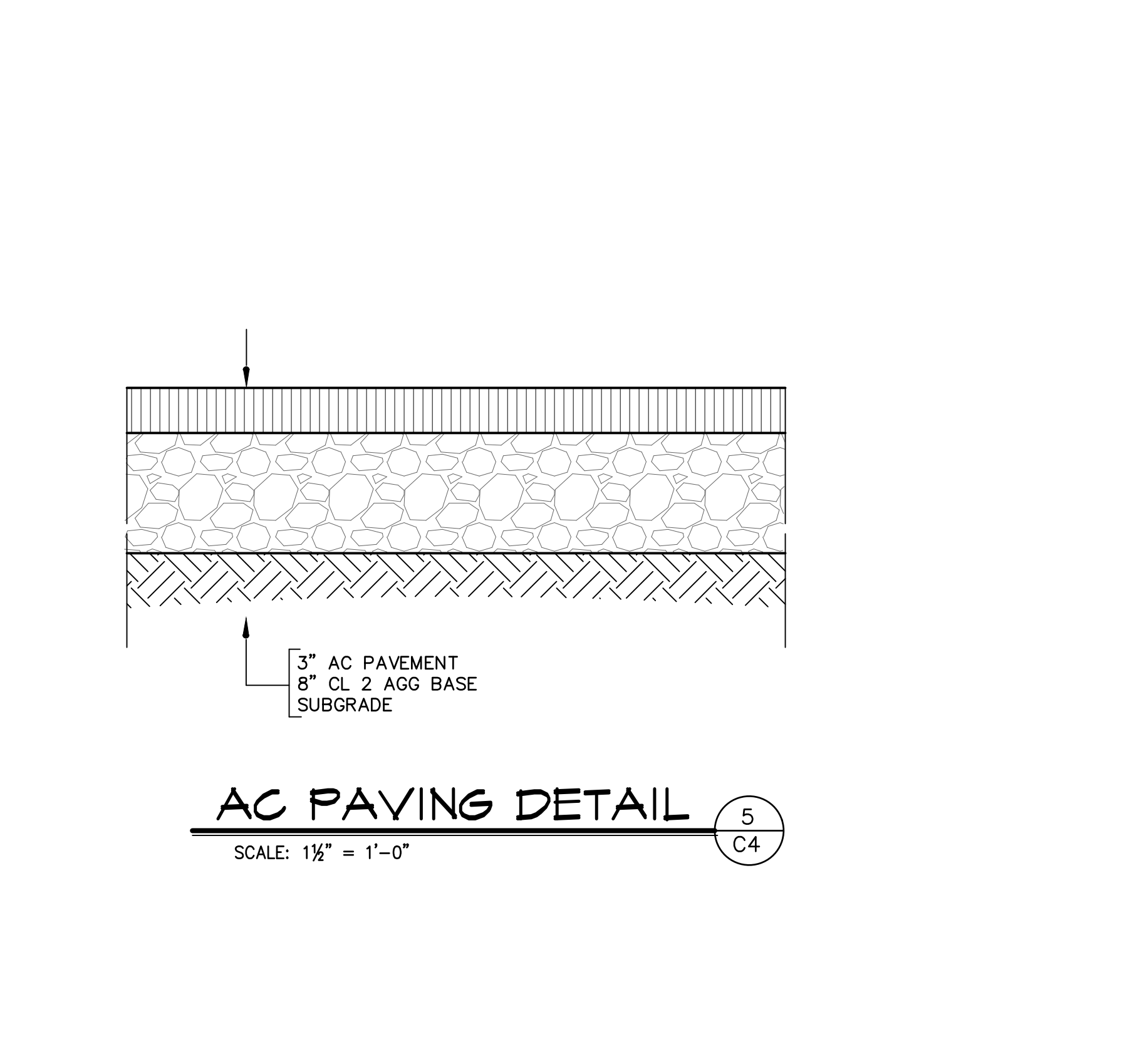
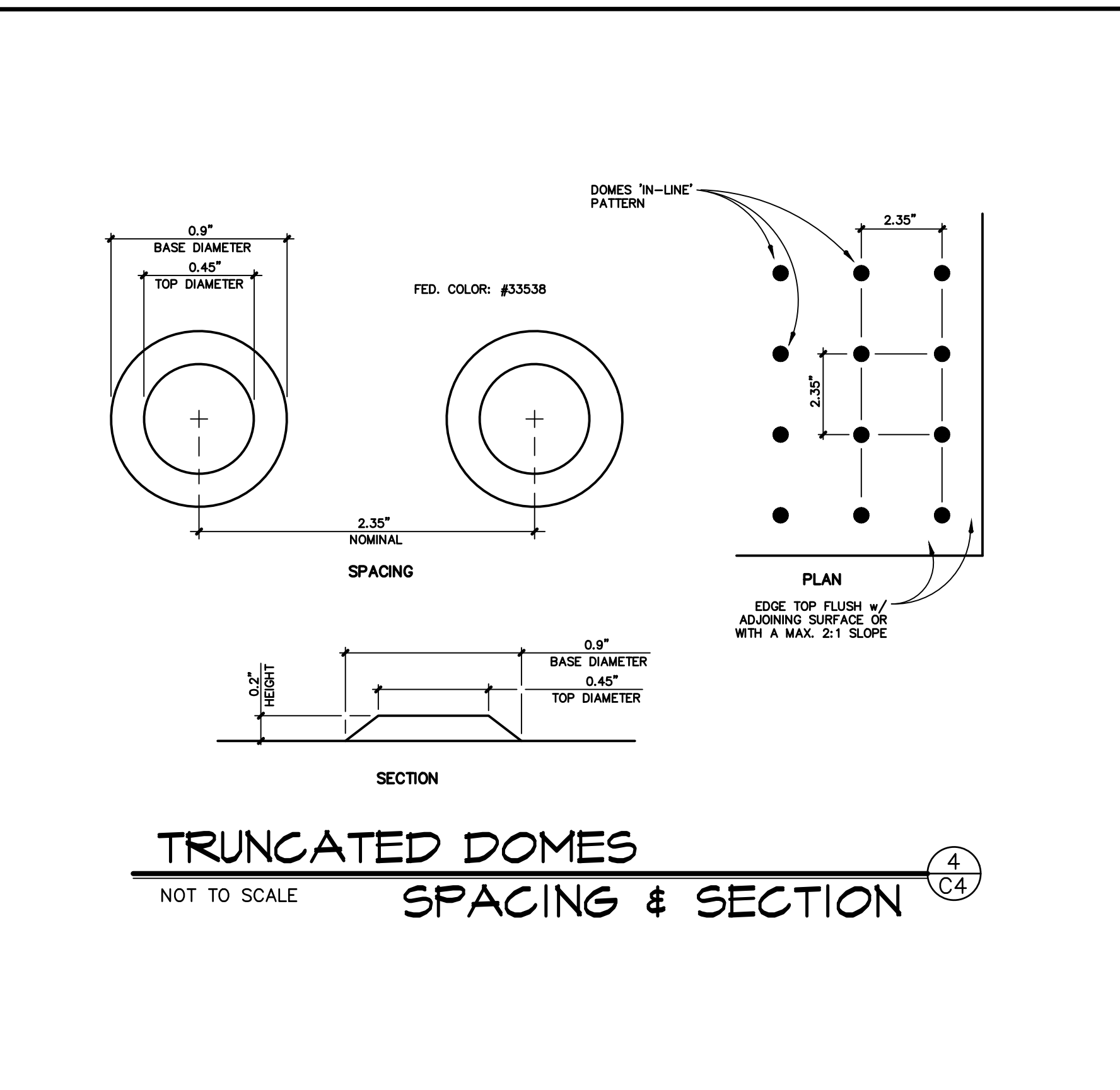
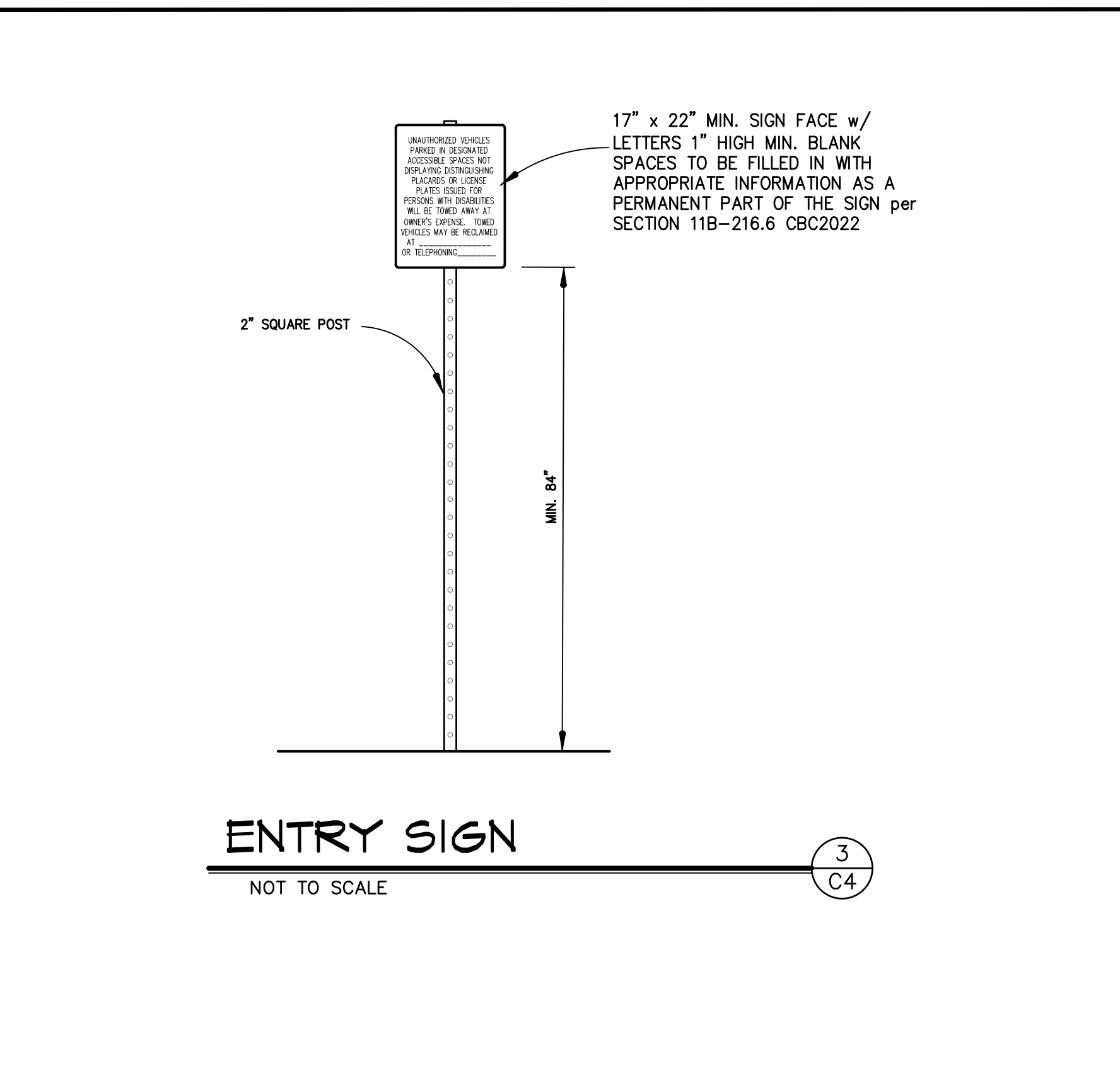
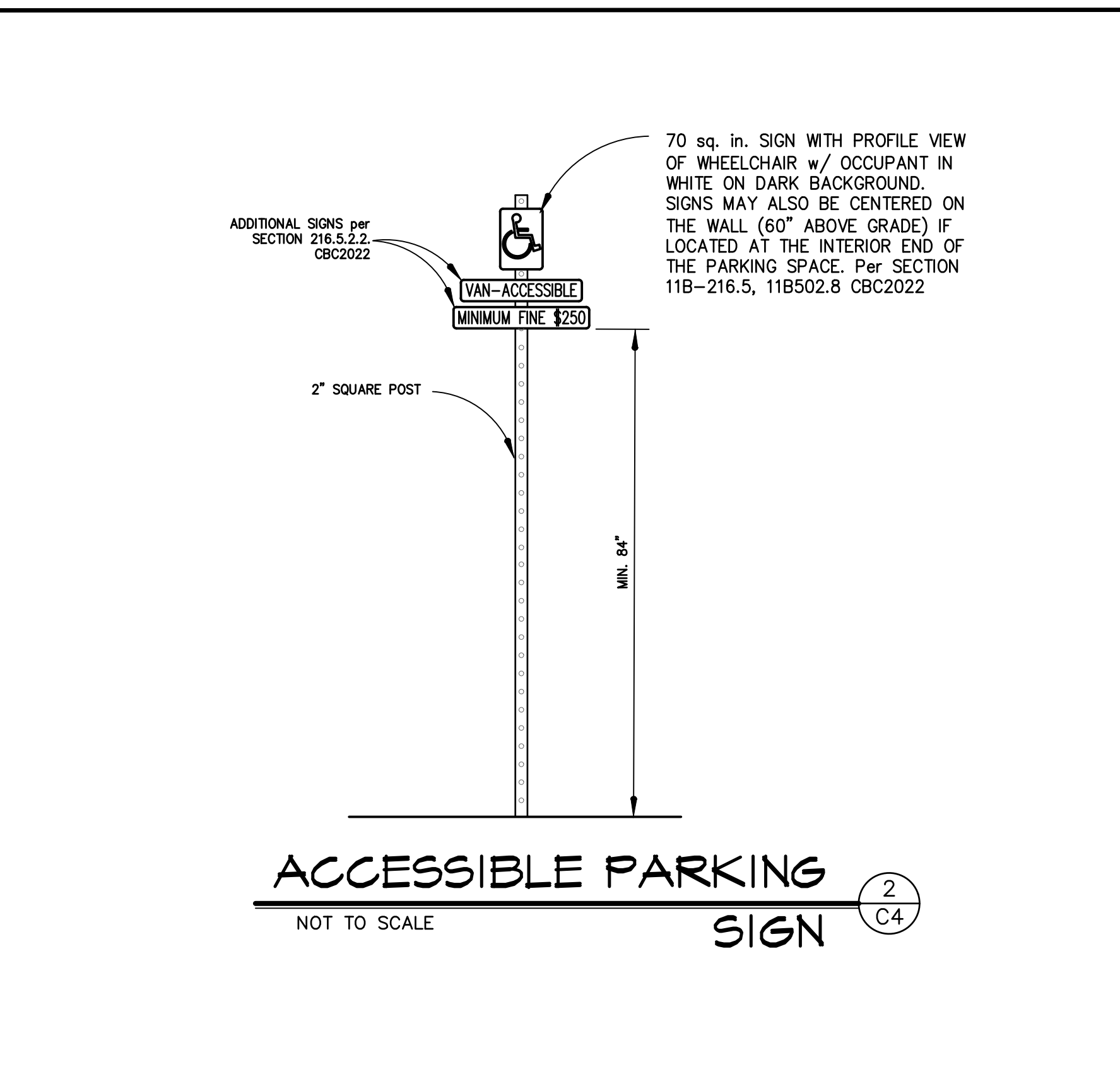
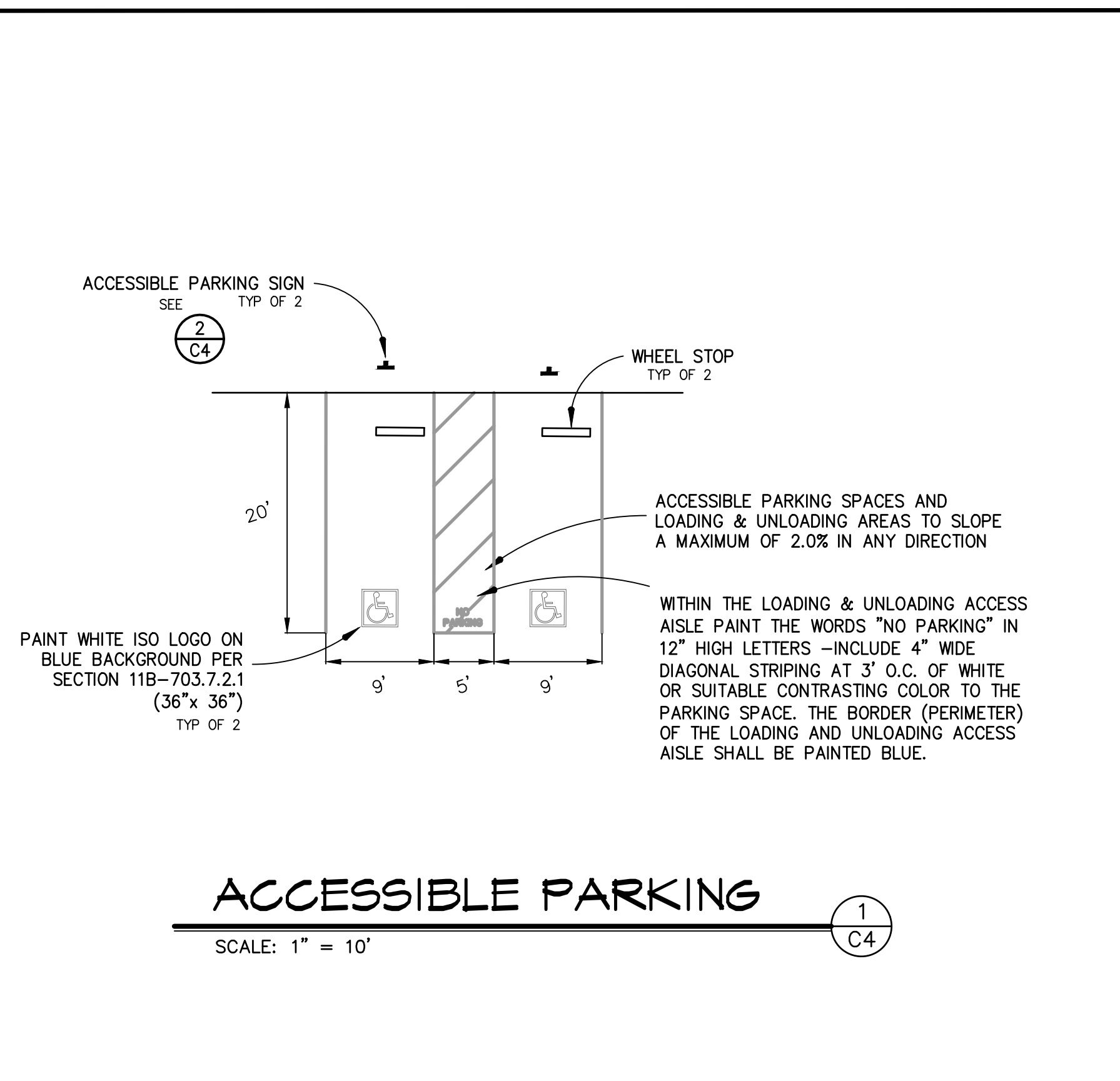
NST ENGINEERING
1495 Riverside Drive * Susanville, CA 96130
Engineering * Planning * Surveying
Phone: (530) 257-5173 Fax: (530) 257-6272

Date: 4/1/25
Drawn: JEB
Checked: JMB

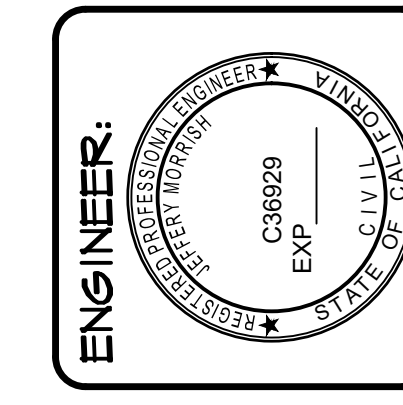
Sheet No.
C2.2
Of 5 Sheets

Job No. 2022-49
File No. 91TE

ENLARGED GRADING PLAN



Revisions:



Project Title:
PROPOSED SITE PLAN FOR
INDIAN VALLEY CSD
19646 HIGHWAY 84
GREENVILLE, PLUMAS COUNTY, CALIFORNIA
APN: 110-350-007

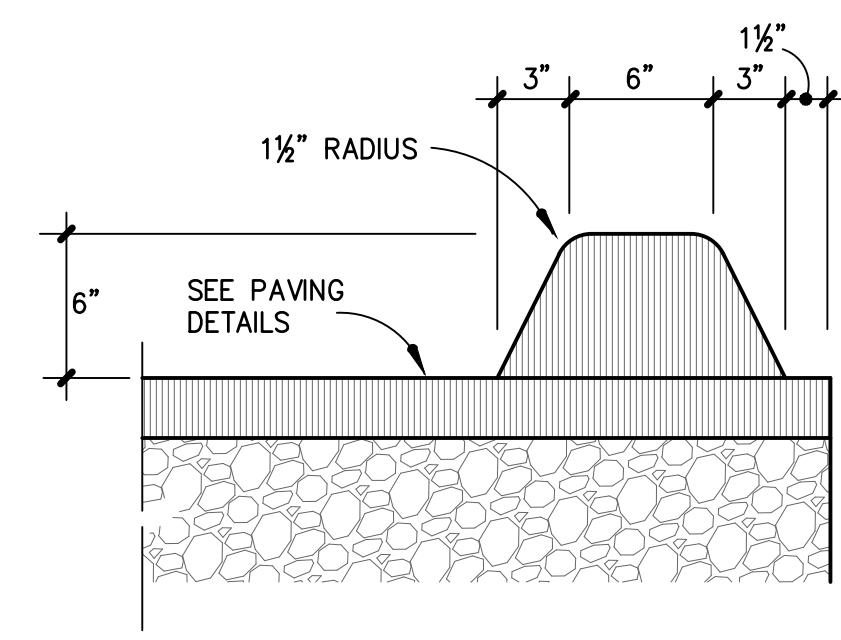
NST ENGINEERING
1495 Riverside Drive * Susanville, CA 96130
Engineering * Planning * Surveying
Phone: (530) 257-5113 Fax: (530) 257-6272

Date: 4/1/25
Drawn: JEB
Checked: JEM

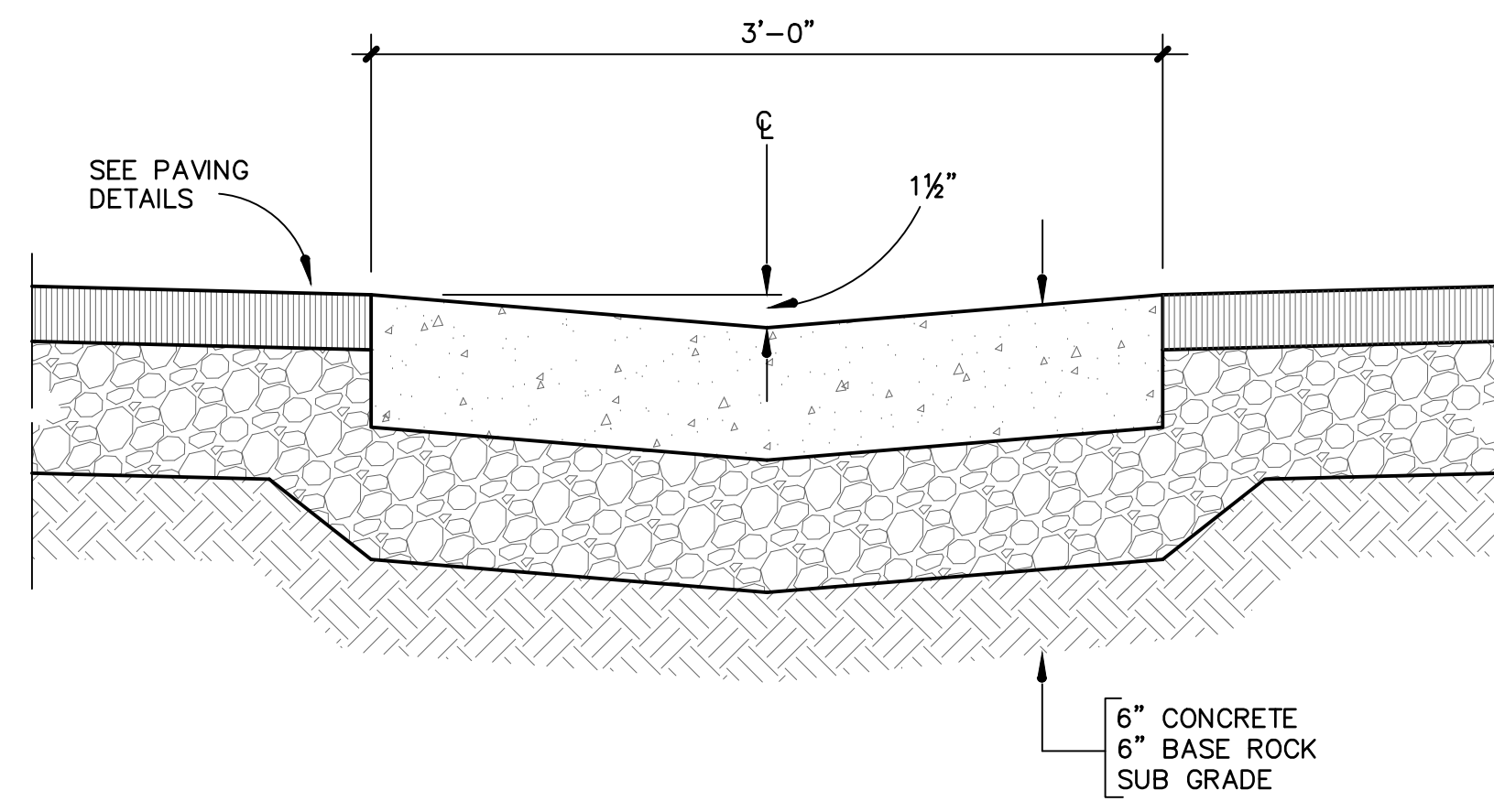
Sheet No.
C4
Of 5 Sheets

Job No. 2022-49
File No. 917E

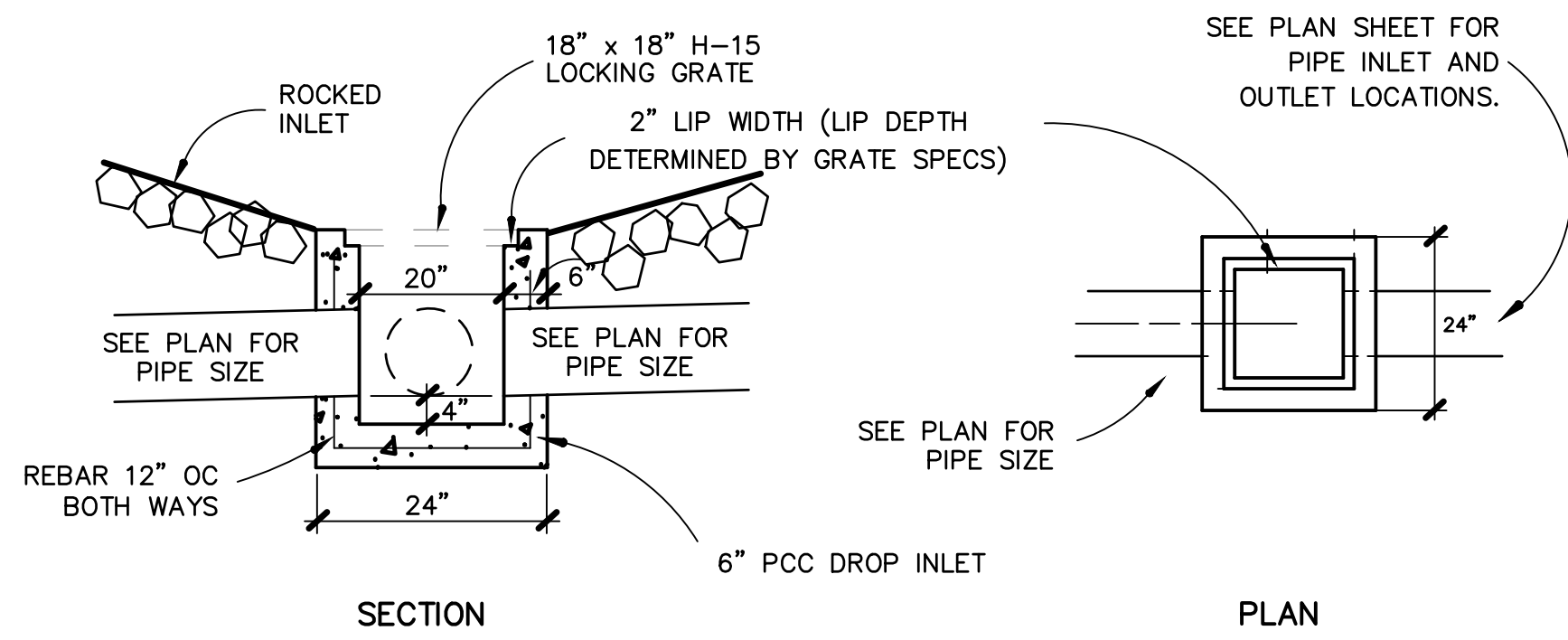
DETAILS



AC DIKE CAL TRANS TYPE A 1
C5
SCALE: 1 1/2" = 1'-0"

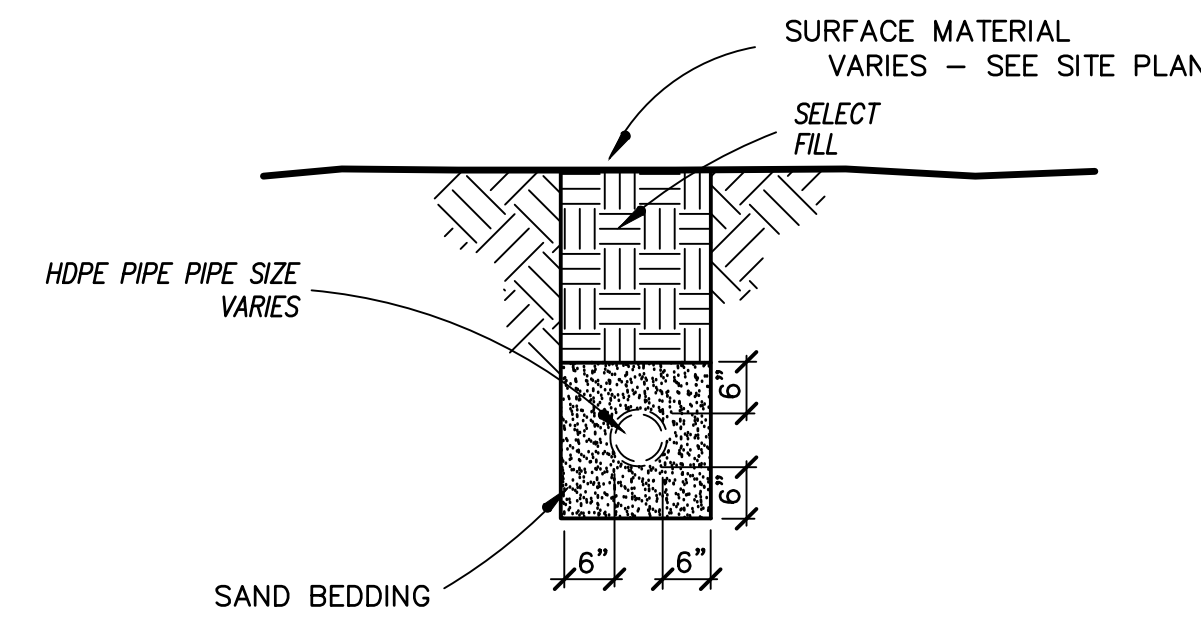


3' CONCRETE SWALE 2
C5
SCALE: 1 1/2" = 1'-0"



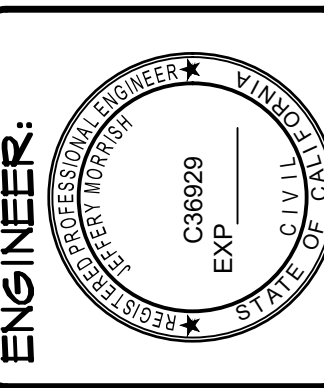
NOTES:
SEE PLAN SHEET FOR INVERT ELEVATIONS.

DROP INLET DETAIL 3
C5
SCALE: 1/2" = 1'-0"



STORM DRAIN TRENCH 4
C5
SCALE: 1/2" = 1'-0"

Revisions:



Project Title:
PROPOSED SITE PLAN FOR
INDIAN VALLEY CSD
14646 HIGHWAY 84
GREENVILLE, PLUMAS COUNTY, CALIFORNIA
APN: 110-350-007

NST ENGINEERING
1445 Riverside Drive * Susanville, CA 96130
Engineering * Planning * Surveying
Phone: (530) 257-5173 Fax: (530) 257-6272

Date: 4/1/25
Drawn: JB
Checked: JM

Sheet No.
C5
Of 5 Sheets

Job No. 2022-49
File No. SITE