

SEE SHEETS C2 AND C3 FOR ENLARGED PLAN AND PROFILE

Revisions:

Engineer:

Project Title:
ENCROACHMENT FOR:
INDIAN VALLEY PUBLIC
SAFETY CENTER
14646 HIGHWAY 89, GREENVILLE, CALIFORNIA
APN: 10-530-007

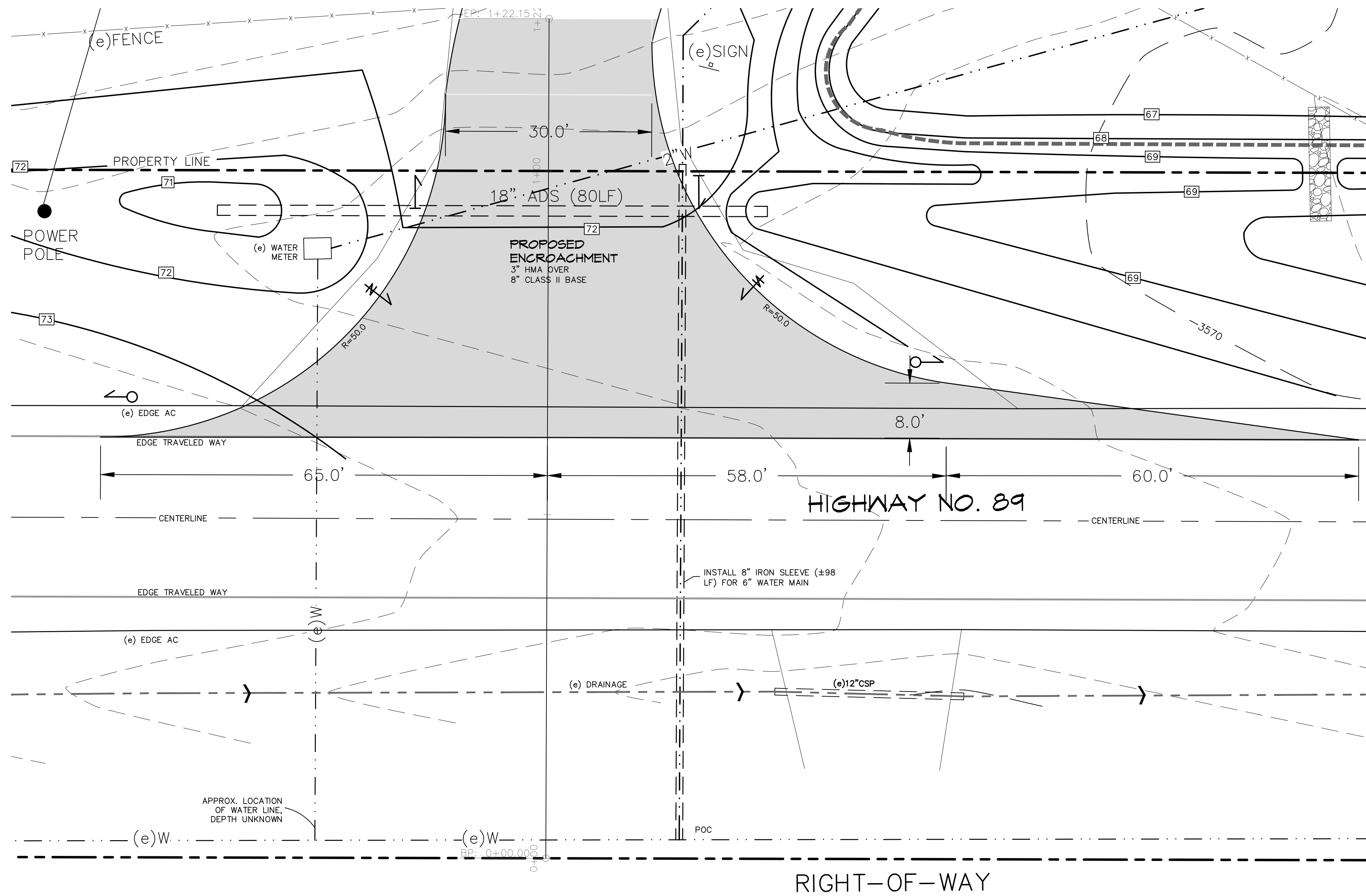
NST ENGINEERING
1445 Riverside Drive • Susanville, CA 96150
Engineering • Planning • Surveying
Phone: (530) 257-5173 Fax: (530) 257-6212

Date: 4/1/25
Drawn: JB
Checked: JM

Sheet No.
C1
Of 3 Sheets

Job No. 22-49
File No. CTE

ENCROACHMENT SITE PLAN



SCALE IN FEET: 0' 5' 10' 15' 25'

 CONTOUR INTERVAL: 1 FOOT

 CONTOUR DATUM: NAVD88

LEGEND:

 100 --- EXISTING CONTOUR

 --- PROPOSED CONTOUR

 CALTRANS MARKER TYPE E

 CALTRANS MARKER TYPE L

 CALTRANS MARKER TYPE F

Revisions:

Engineer:

Project Title:

 ENCROACHMENT PLAN FOR

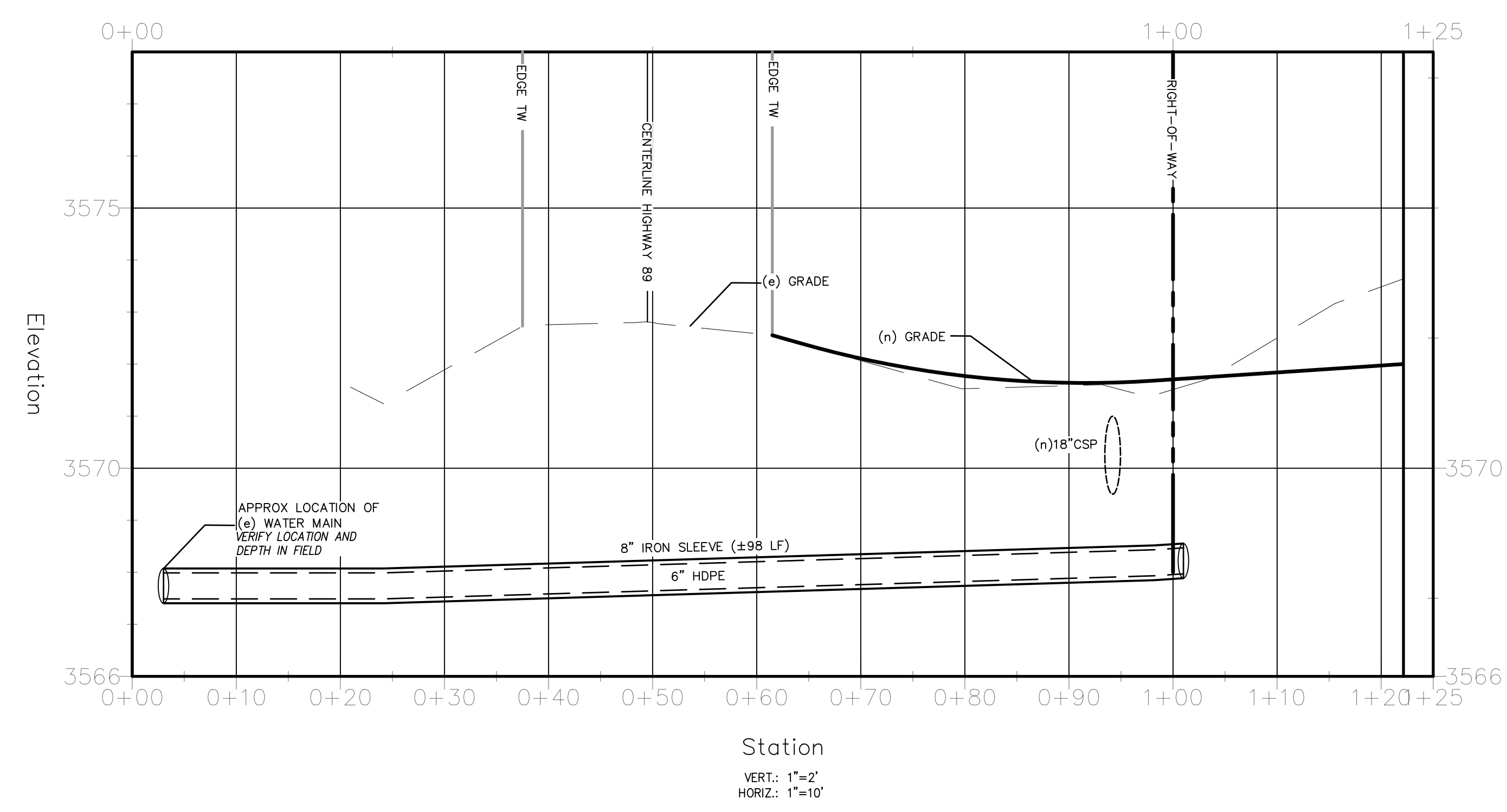
 INDIAN VALLEY PUBLIC

 SAFETY CENTER

 14646 HIGHWAY 89, GREENVILLE, CALIFORNIA

 APN: 10-530-007

WEST ENCROACHMENT PROFILE



WEST ENCROACHMENT

NST ENGINEERING

 1445 Riverside Drive * Susanville, CA 96150

 Engineering * Planning * Surveying

 Phone: (530) 257-5173 Fax: (530) 257-6212

Date: 4/1/25

 Drawn: JB

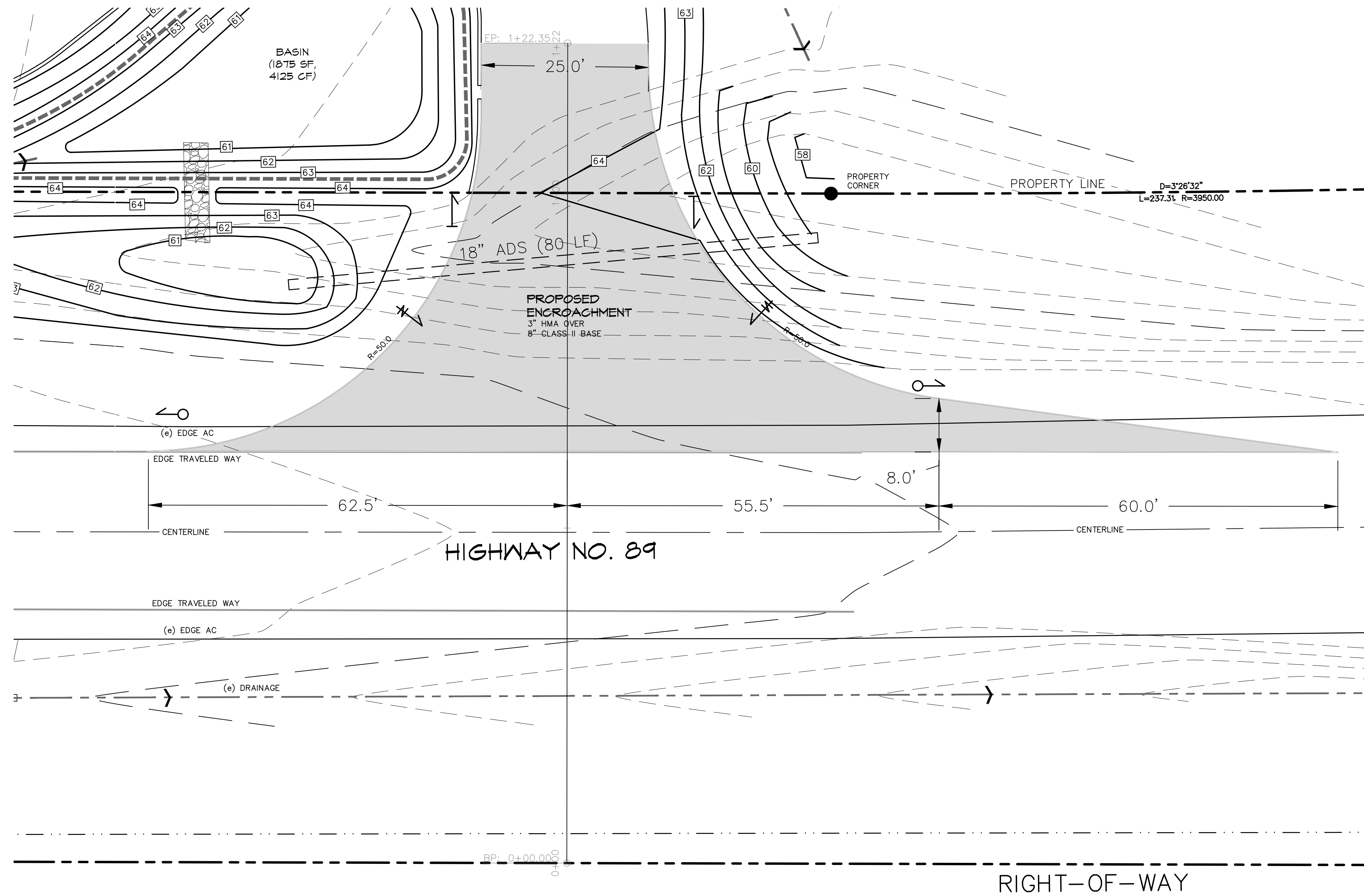
 Checked: JM


Sheet No.

 Of 3 Sheets

Job No. 22-49

 File No. CTE




 SCALE IN FEET
 0' 5' 10' 15' 25'
 CONTOUR INTERVAL: 1 FOOT
 CONTOUR DATUM: NAVD88

LEGEND:

- 100 ——— EXISTING CONTOUR
- PROPOSED CONTOUR
- CALTRANS MARKER TYPE E
- ⊥ CALTRANS MARKER TYPE L
- ⊥ CALTRANS MARKER TYPE F

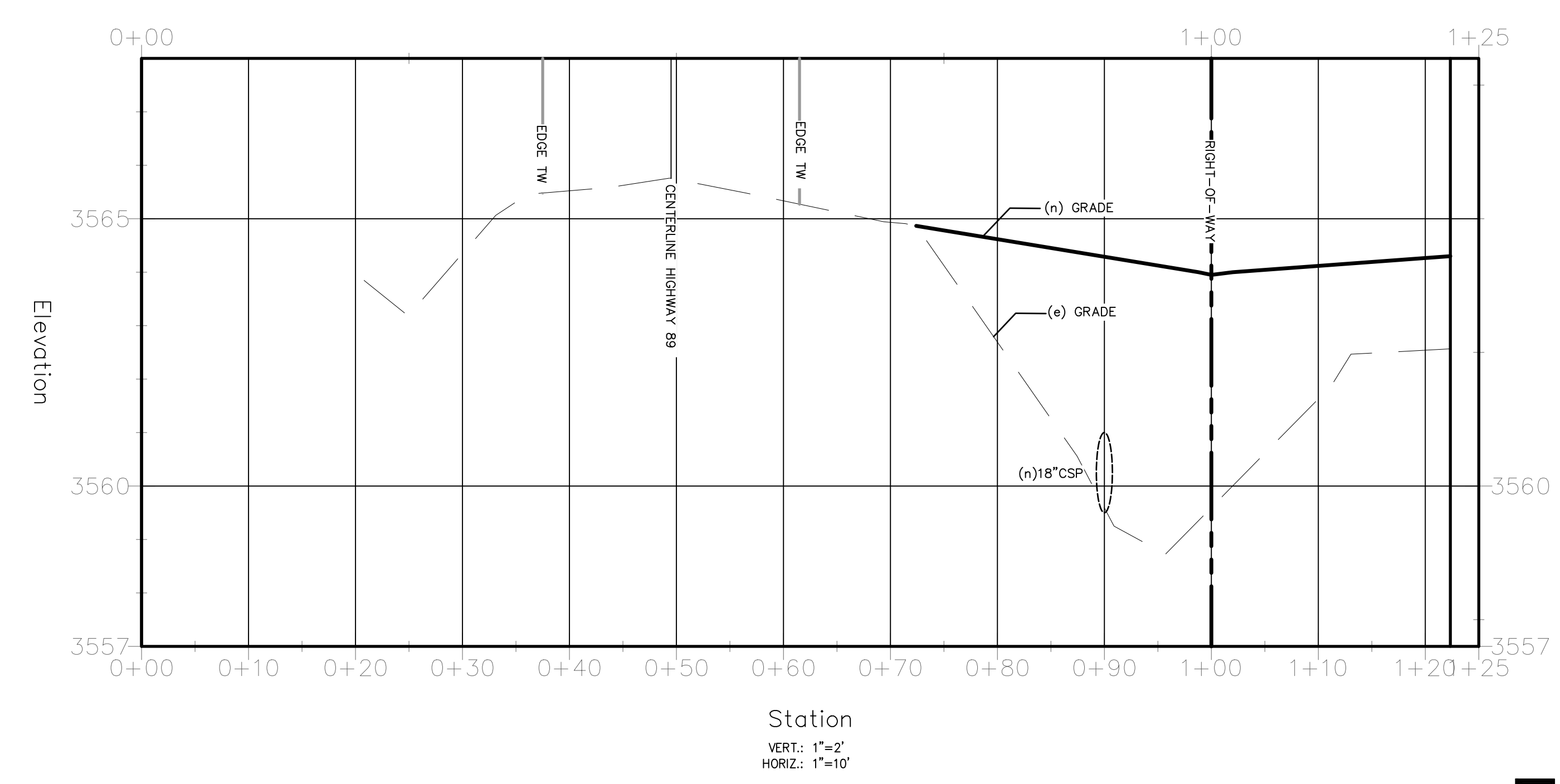
Revisions:

No.	Description

Engineer:

Project Title:
 ENCRoACHMENT PLAN FOR
 INDIAN VALLEY PUBLIC
 SAFETY CENTER
 14646 HIGHWAY 89, GREENVILLE, CALIFORNIA
 APN: 10-530-007

EAST ENCRoACHMENT PROFILE



EAST ENCRoACHMENT

NST ENGINEERING
 1445 Riverside Drive • Susanville, CA 96150
 Engineering • Planning • Surveying
 Phone: (530) 257-5173 Fax: (530) 257-6212

Date: 4/1/25
 Drawn: JB
 Checked: JM

Sheet No.
03
 Of 3 Sheets

Job No. 22-49
 File No. CTE